

## Table of contents

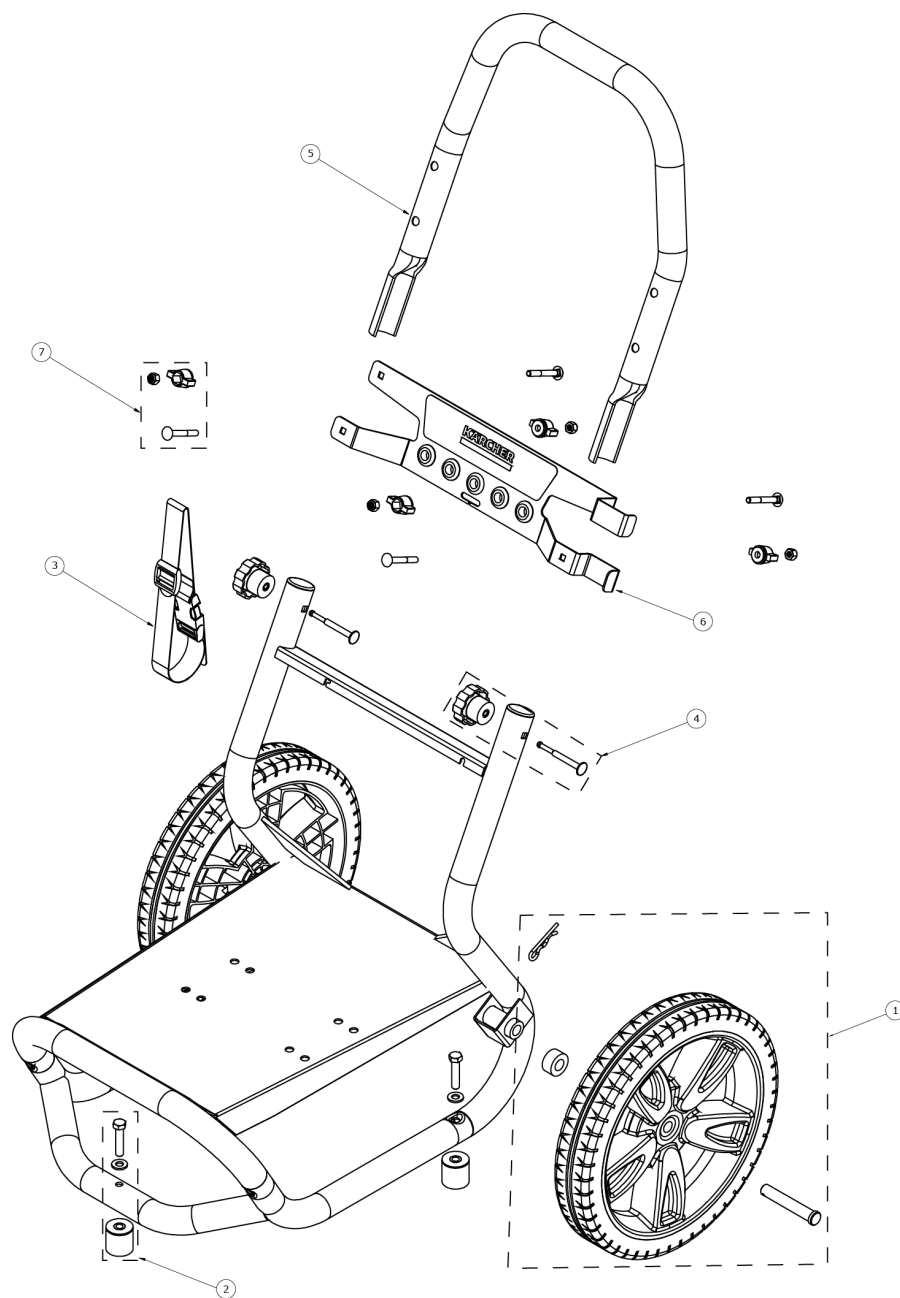
---

G 2900 X (1.107-384.0)	2
10 SPARE PART LIST - G 2900 X	3
10 FRAME	4
20 PUMP SET	6
1 CYLINDER HEAD (8.921-430.0)	8
8 SPARE PART LIST NOZZLE INS 020/021 PUMP (9.139-372.0)	10
9 Spare part set chemistry (2.883-862.0)	12
10 Drain plug only for replacement (4.132-007.0)	14
11 Valve (3 Stück) (2.884-916.0)	16
2 PISTON (8.921-431.0)	18
3 Transmission	20
30 ENGINE	22
40 ACCESSORIES	23

## 10 SPARE PART LIST - G 2900 X

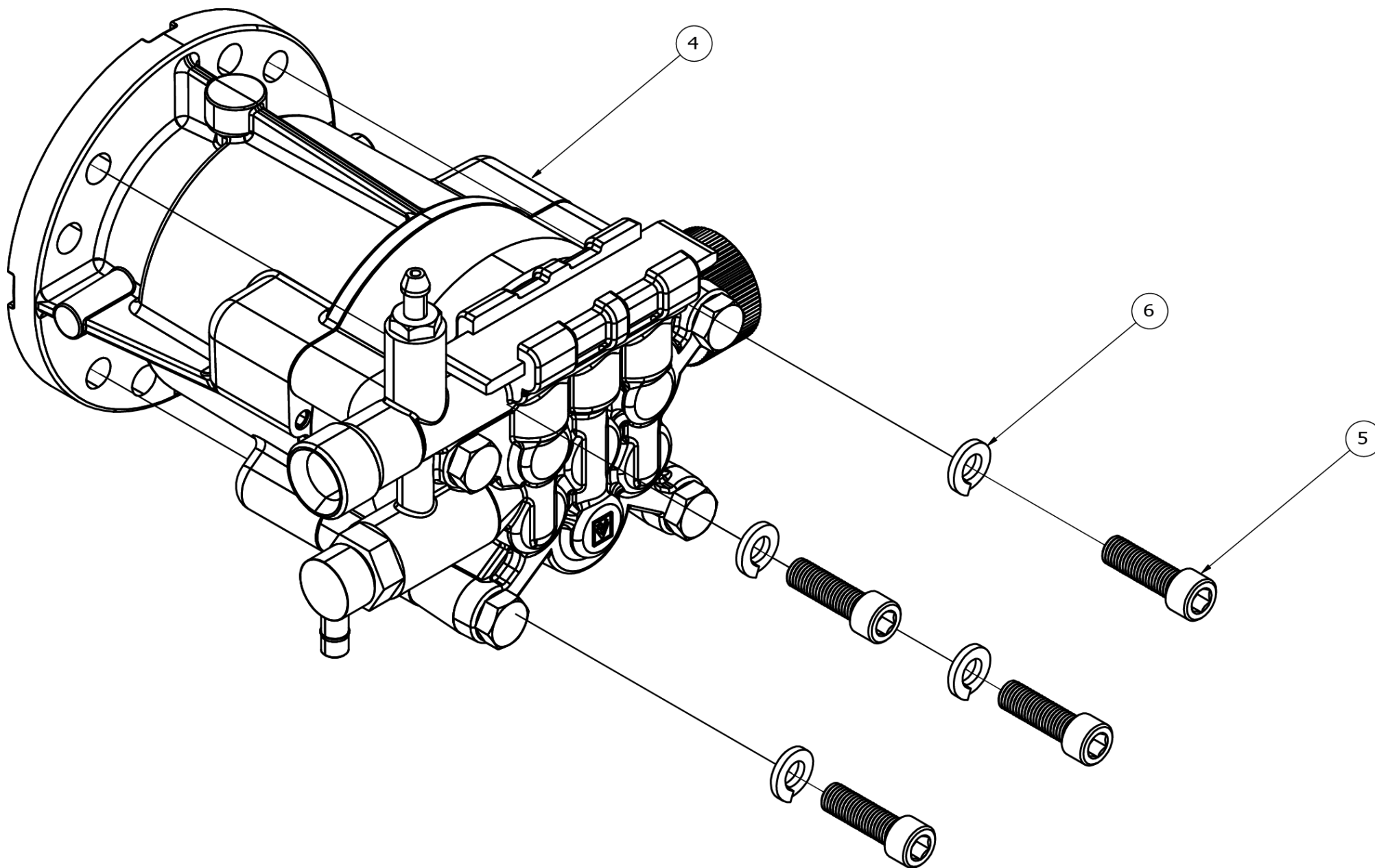
---

<b>POS</b>	<b>Description</b>	<b>Quantity</b>	<b>Unit</b>
10	FRAME	1.000	ST
20	PUMP SET	1.000	ST
30	ENGINE	1.000	ST
40	ACCESSORIES	1.000	ST



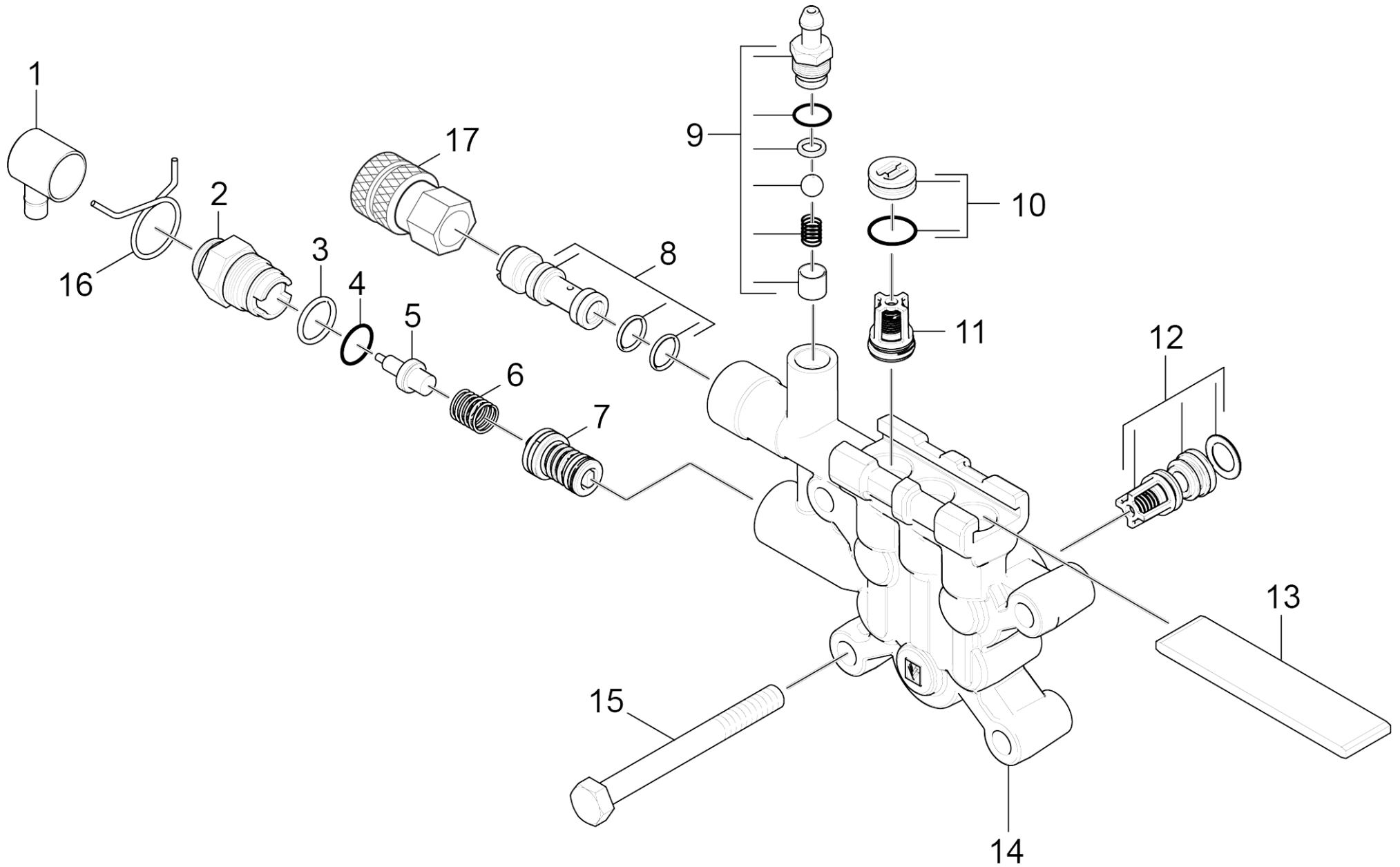
10 FRAME

POS	Article no.	Description	Quantity	Unit	Remark	Foot note text
1	9.803-872.0	SPARE WHEEL 12" PIN KIT	1.000	ST		
2	9.803-873.0	SPARE RUBBER 1.18" KIT	1.000	ST		
3	8.632-816.0	STRAP, ADJ. 24"	1.000	ST		
4	9.803-874.0	SPARE KNOB FLUTE STAR KIT	1.000	ST		
5	9.803-884.0	SPARE HANDLE FORM, LEFT	1.000	ST	G3100XH MODEL	ARTICLE ONLY AVAILABLE AT KNA
5	9.803-875.0	SPARE HANDLE FORM, RIGHT	1.000	ST		
6	9.803-888.0	SPARE NAMEPLATE R	1.000	ST		
6	9.803-885.0	SPARE NAMEPLATE L	1.000	ST	G3100XH MODEL	ARTICLE ONLY AVAILABLE AT KNA
6	9.803-876.0	SPARE NAMEPLATE R 5H	1.000	ST	G2900X/G3200XK MODEL	ARTICLE ONLY AVAILABLE AT KNA
7	9.803-877.0	SPARE NAMEPLATE SCREWS	1.000	ST		



20 PUMP SET

POS	Article no.	Description	Quantity	Unit	Remark	Foot note text
1	8.921-430.0	CYLINDER HEAD	1.000	ST		
2	8.921-431.0	PISTON	1.000	ST		
3		Transmission	1.000	ST		
4	8.925-069.0	SPARE VERTICAL PUMP FEMALE HOSE	1.000	ST	VERIFY THE NOZZLE SIZE ON ACCESSORIES GROUP	ARTICLE ONLY AVAILABLE AT KNA
5	8.756-708.0	SCREW 5/16"-24 X 1" SCH, SS	4.000	ST		
6	9.802-813.0	WASHER, 5/16" SPLIT RING LOCK, ZINC	4.000	ST		



## 1 CYLINDER HEAD (8.921-430.0)

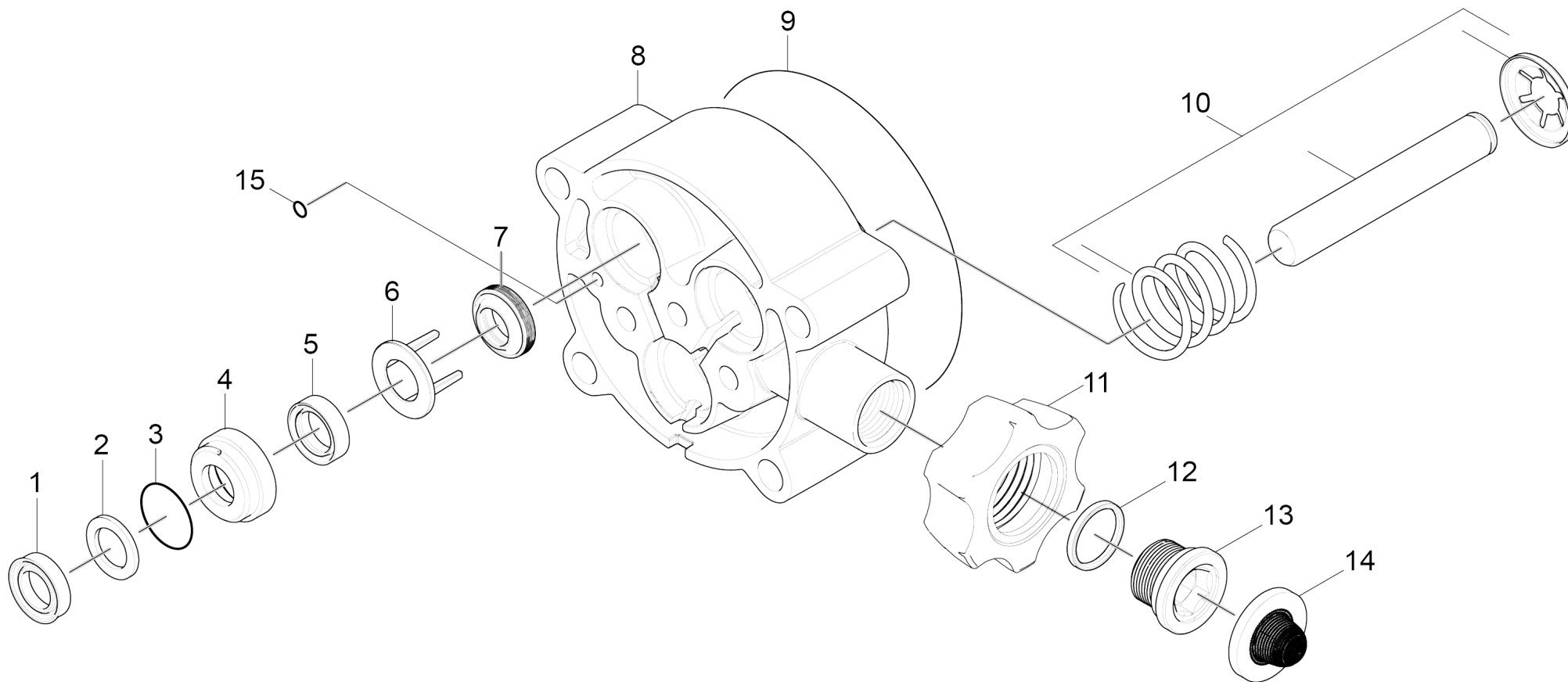
POS	Article no.	Description	Quantity	Unit	Foot note text
1	8.752-076.0	VALVE, THERMAL COVER-LONG	1.000	ST	ARTICLE ONLY AVAILABLE AT KNA
2	9.184-018.0	Valve screw	1.000	ST	ARTICLE ONLY AVAILABLE AT KNA
3	6.362-480.0	O-Ring seal 12,42x 1,78	1.000	ST	ARTICLE ONLY AVAILABLE AT KNA
4	7.362-507.0	O-Ring seal 8x2-NBR 90 DIN 3770	1.000	ST	ARTICLE ONLY AVAILABLE AT KNA
5	6.413-403.0	Therموالve 60°	1.000	ST	ARTICLE ONLY AVAILABLE AT KNA
6	5.332-290.0	Helical spring	1.000	ST	ARTICLE ONLY AVAILABLE AT KNA
7	9.175-005.0	Unloader Assembly	1.000	ST	ARTICLE ONLY AVAILABLE AT KNA
8	9.139-372.0	SPARE PART LIST NOZZLE INS 020/021 PUMP	1.000	ST	ARTICLE ONLY AVAILABLE AT KNA
9	2.883-862.0	Spare part set chemistry	1.000	ST	ARTICLE ONLY AVAILABLE AT KNA
10	4.132-007.0	Drain plug only for replacement	3.000	ST	ARTICLE ONLY AVAILABLE AT KNA
11	2.884-916.0	Valve (3 Stück)	1.000	ST	ARTICLE ONLY AVAILABLE AT KNA
12	9.139-376.0	Valve 3 St.	1.000	ST	ARTICLE ONLY AVAILABLE AT KNA
13	5.003-062.0	Plate	1.000	ST	ARTICLE ONLY AVAILABLE AT KNA
14	9.135-015.0	Cylinder Head-Machined	1.000	ST	ARTICLE ONLY AVAILABLE AT KNA
15	7.304-098.0	Hexagonal head screw M8x80-8.8-A2E ISO	4.000	ST	ARTICLE ONLY AVAILABLE AT KNA
16	8.752-032.0	CLAMP, TENSION SPRING OD 11/16"	1.000	ST	ARTICLE ONLY AVAILABLE AT KNA
17	9.154-045.0	Quick Connect	1.000	ST	ARTICLE ONLY AVAILABLE AT KNA



11 Valve (3 Stück) (2.884-916.0)

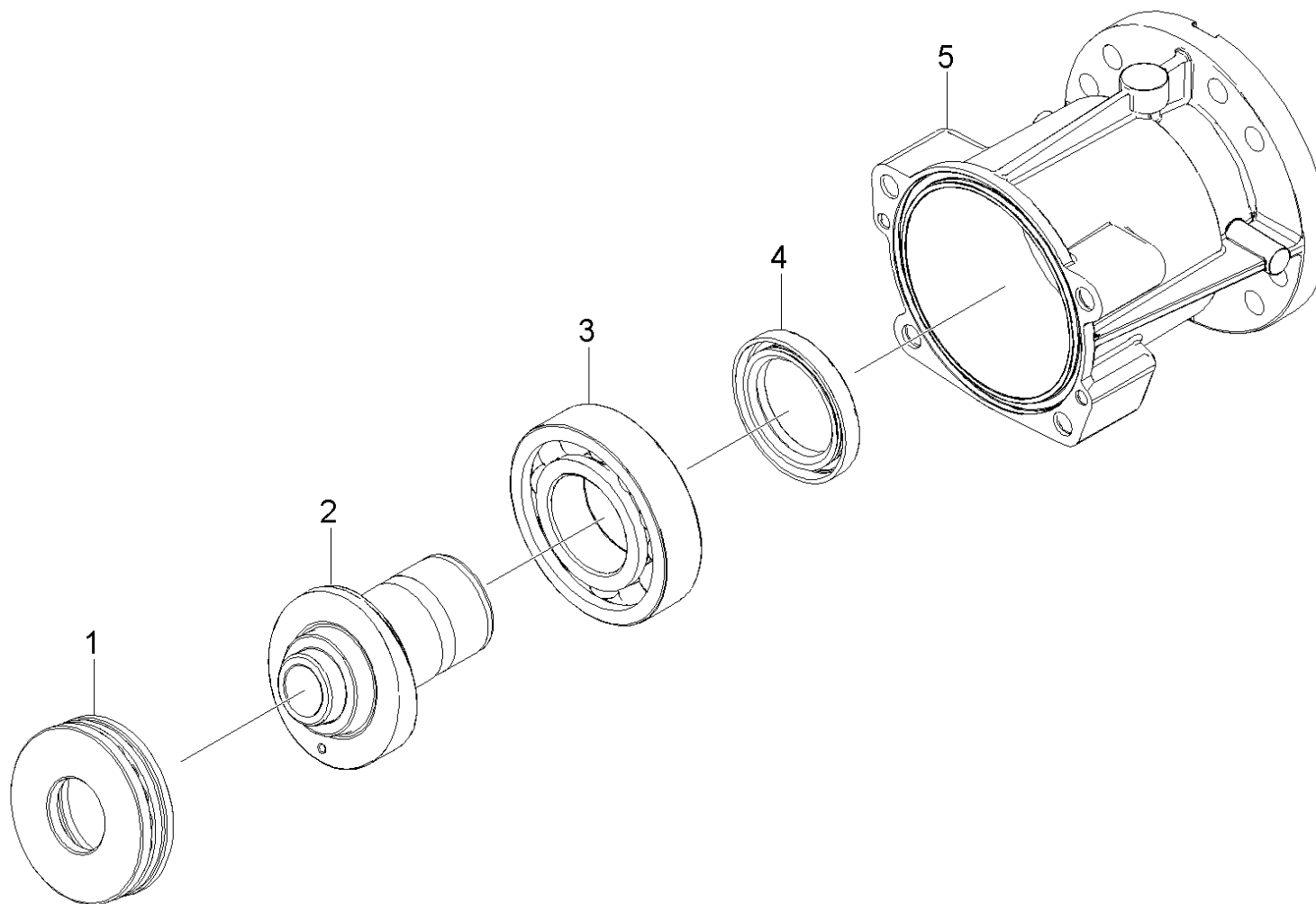
---

POS	Article no.	Description	Quantity	Unit
15	6.362-077.0	O-Ring seal 10 x 2,2 NBR 70	1.000	ST



2 PISTON (8.921-431.0)

POS	Article no.	Description	Quantity	Unit	Foot note text
1	9.177-301.0	HIGH PRESSURE SEAL	3.000	ST	ARTICLE ONLY AVAILABLE AT KNA
2	9.177-310.0	BACK RING-HIGH PRESSURE SEAL-	3.000	ST	ARTICLE ONLY AVAILABLE AT KNA
3	6.362-833.0	O-Ring seal 21,5 x 1,78	3.000	ST	ARTICLE ONLY AVAILABLE AT KNA
4	9.155-011.0	HOUSING-LOW PRESSURE SEAL	3.000	ST	ARTICLE ONLY AVAILABLE AT KNA
5	6.363-058.0	Grooved ring 12x18x5 (90Shore)	3.000	ST	ARTICLE ONLY AVAILABLE AT KNA
6	9.134-016.0	SPACER-OIL SEAL & SEAL HSG.	3.000	ST	ARTICLE ONLY AVAILABLE AT KNA
7	6.365-393.0	Oil sealing 12x20x4/6	3.000	ST	ARTICLE ONLY AVAILABLE AT KNA
8	9.133-007.0	Piston Guide-Machined	1.000	ST	ARTICLE ONLY AVAILABLE AT KNA
9	6.362-471.0	O-Ring seal 80,0 X 3,0 -NBR 70	1.000	ST	ARTICLE ONLY AVAILABLE AT KNA
10	9.139-370.0	SPARE PART LIST PISTON 020/021 PUMP	3.000	ST	ARTICLE ONLY AVAILABLE AT KNA
11	9.154-044.0	Nut, Garden hose connector	1.000	ST	ARTICLE ONLY AVAILABLE AT KNA
12	6.362-390.0	O-Ring seal 15,6 X 1,78	1.000	ST	ARTICLE ONLY AVAILABLE AT KNA
13	9.134-019.0	MALE ADAPTER	1.000	ST	ARTICLE ONLY AVAILABLE AT KNA
14	9.181-005.0	FILTER SEAL-HOSE CONNECTOR-	1.000	ST	ARTICLE ONLY AVAILABLE AT KNA
15	6.363-626.0	O-Ring seal 4,47x1,78 -NBR90	1.000	ST	ARTICLE ONLY AVAILABLE AT KNA



### 3 Transmission

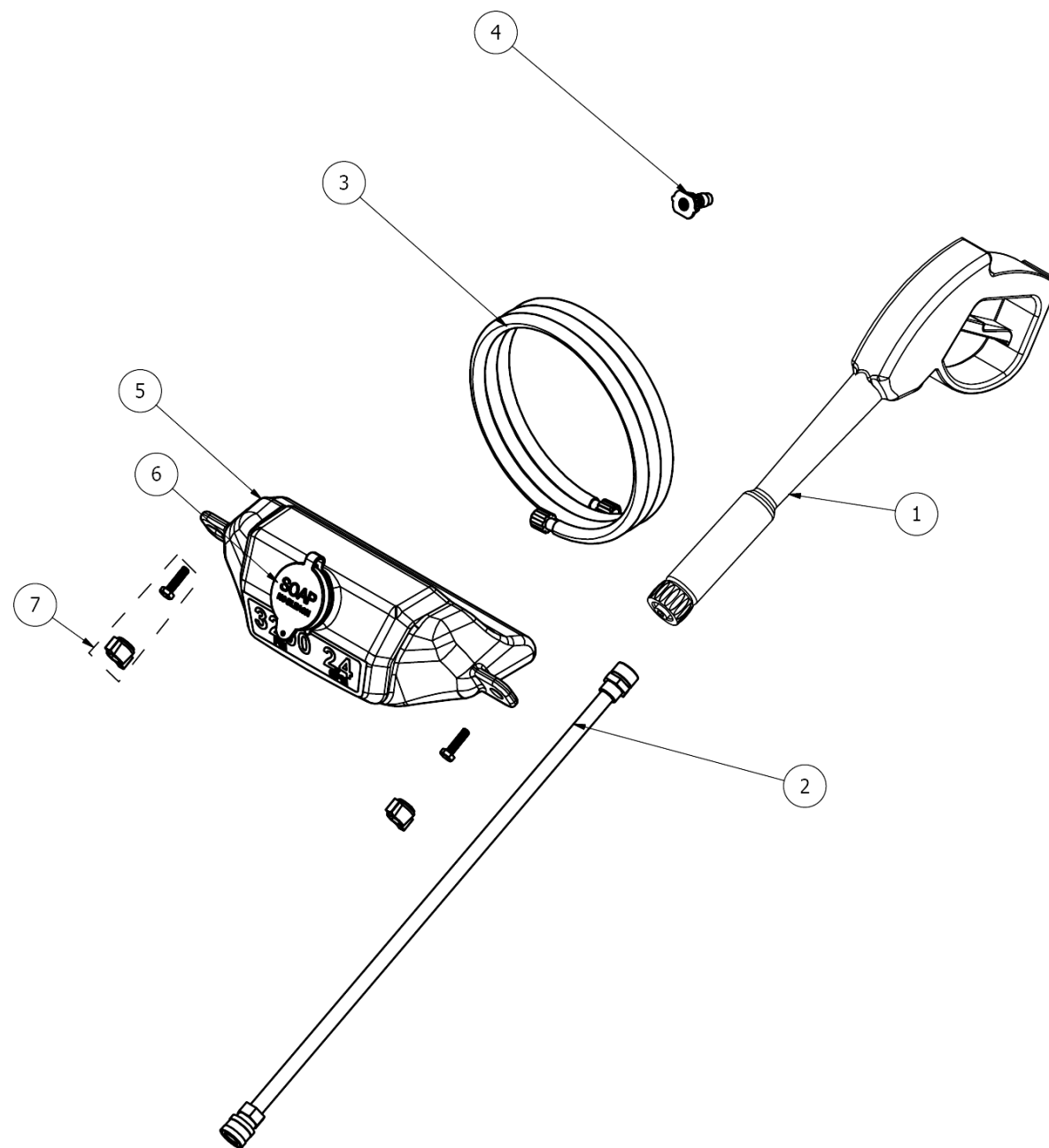
---

<b>POS</b>	<b>Article no.</b>	<b>Description</b>	<b>Quantity</b>	<b>Unit</b>
1	9.165-355.0	GROOVED BALL BEARING	1.000	ST
2	9.135-017.0	Swash Plate Vertical-Machined-	1.000	ST
3	9.165-356.0	BALL BEARING NO. 6207	1.000	ST
4	9.177-314.0	Radial Seal, 35x52x7	1.000	ST
5	9.135-016.0	Oil Housing Vertical Machined	1.000	ST

## 30 ENGINE

---

<b>POS</b>	<b>Article no.</b>	<b>Description</b>	<b>Quantity</b>	<b>Unit</b>
1	8.757-250.0	AIR FILTER INSERT KPS 196	1.000	ST
2	8.757-251.0	AIR FILTER ELEMENT KPS196	1.000	ST
3	8.757-252.0	TANK CAP KPS196	1.000	ST
4	8.757-253.0	HAND HOLD & PULL CORD KPS 196	1.000	ST
5	8.757-254.0	OIL DIP ROD	1.000	ST
6	8.757-255.0	IGNITION PLUG	1.000	ST



## 40 ACCESSORIES

---

<b>POS</b>	<b>Article no.</b>	<b>Description</b>	<b>Quantity</b>	<b>Unit</b>	<b>Foot note text</b>
1	9.112-012.0	AL BIT101 TRIGGER GUN	1.000	ST	
2	9.112-533.0	Lance-AL Quick Connect-Male 3000 psi	1.000	ST	
3	8.753-423.0	HOSE, HP DN6 25FT, 3600PSI M22	1.000	ST	
4	8.756-792.0	NOZZLE, QUICK DISCONNECT KIT (032)	1.000	ST	ARTICLE ONLY AVAILABLE AT KNA
5	8.756-866.0	TANK, 1/2 GALLON BLACK	1.000	ST	
6	8.755-855.0	SPARE, SOAP TANK COVER, K1700/1800 EPW	1.000	ST	
7	9.803-879.0	SPARE TANK 1/2 GALLON SCREWS	1.000	ST	
8	9.802-053.0	BUSHING, FUEL LINE, RUBBER	1.000	ST	